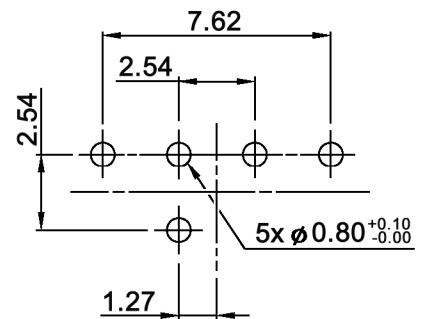


TYPE	CIRCUIT CHARACTERISTIC											
	CODE	POSITION									ON	
DRR 4110		0	1	2	3	4	5	6	7	8	9	
	1	●		●		●		●		●		●
	2	●	●			●	●			●	●	●
	4	●	●	●	●	●	●	●	●	●	●	●
8	●	●	●	●	●	●	●	●	●	●	●	

P.C.B. LAYOUT

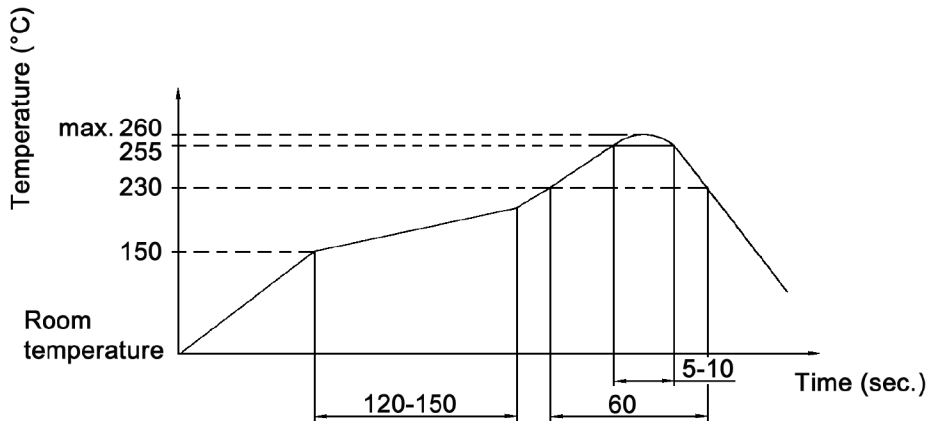


Compliance: RohS II (2011/65/EU)

Tolerances: ±0.20mm		Date	Name	<h1>DRR 4110</h1>
		12/07	dr	
Dimensions	02/09	dr	knitter-switch	<h2>30 13 17</h2>
Specifications	02/09	dr		
Dimensions	07/08	dr		
Operating temperature	04/08	dr		
Modifications	Date	Name		Page 1/2

Specifications:

Contact rating: non-switching: 100mA, 50V DC
 switching: 30mA, 15V DC
Contact resistance: 100mOhm max.
Insulation resistance: 1 000MOhm min. at 250V DC
Dielectric strength: 250V AC for 1 minute
Operating temperature: -40°C to +85°C
Mechanical life: 20 000 cycles min.
Operating force: 250 gf.cm max.
Material: Base / cover: high-temp. thermoplastic nylon UL94V-0,
 molded black
 Movable contact: alloy copper, gold plated
 Actuator: high-temp. thermoplastic nylon UL94V-0,
 color: red
 O-ring: silicone
 Spring: stainless steel
 Terminal: brass, gold plated
Soldering conditions: wave soldering: 260°C, 5sec. max.
 through hole reflow: 260 +/-5°C, 4-6sec.



Compliance: RohS II (2011/65/EU)

Tolerances: ±0.20mm	Date	Name	DRR 4110	30 13 17	Page	
	02/09	dr			2/2	
			knitter-switch			
Modifications	Date	Name				